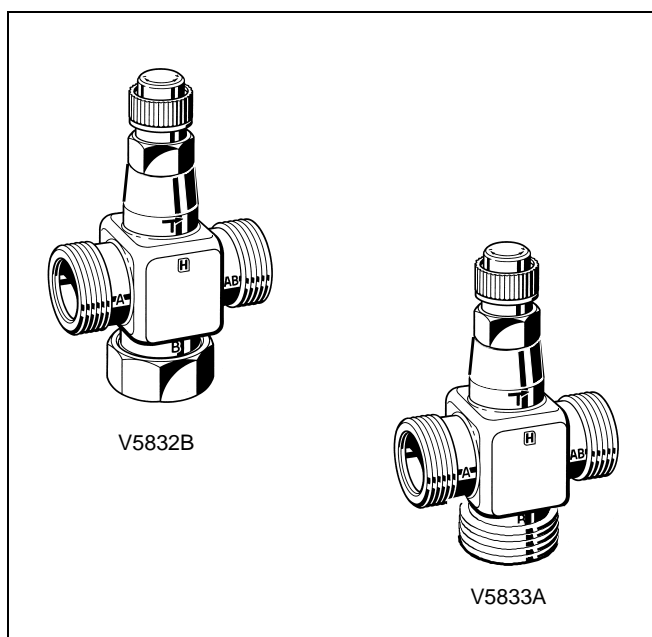


## V5832B/V5833A

### Small Linear Valves PN16

#### SPECIFICATION DATA



### GENERAL

These small linear valves are used in combination with small electric linear valve actuators for the control of hot and/or chilled water for fan coil units, small reheaters/recoolers in electric/electronic temperature control systems.

### FEATURES

- Pressure balanced plug
- Range of fittings available for different connections
- Easy to mount, no tools required
- Flat sealing connections
- Flat surfaces on body to fit installation tools
- Standard external threads for Honeywell or field supplied fittings
- Adjustment cap for manual operation

### SPECIFICATIONS

Model	Two-way: V5832B Three-way: V5833A
Operation	Stem up to close port A to AB
Nominal pressure rating	PN16
Capacity index ( $k_{vs}$ )	see tables on page 2
Leakage rate	$\leq 0.05\%$ of $k_{vs}$
Valve body:	
Material	Red brass
Size	DN25 (1"), DN32 (1 1/4"), DN40 (1 1/2")
Trim:	
Stem	Stainless steel
Plug	Brass
Suitable medium	Water, with max. 50% Glycol
Controlled water temperature:	2...120°C
Rangeability	50:1
Flow characteristic	Linear for port A-AB, linear for bypass port B-AB
Stroke	6.5mm
Dimensions	see Fig. 1.

## FLOW CAPACITIES AND CLOSE OFF PRESSURE RATINGS

### Two-way valves

Valves			Actuators	
			M6410C,L/M7410C1015/M7410E1028/ML6425B2015/2023 ML7420A2016/ML6435B/ML7430E/ML7435E (300-500N)	
DN	kvs	Order Number	Operating Pressure (kPa)	Close-Off Pressure (kPa)
25	4.0	V5832B2075	600	1600
25	6.3	V5832B2083	600	1600
25	10.0	V5832B2091	600	1600
32	16.0	V5832B2109	500	1200
40	25.0	V5832B2117	400	1000

### Three-way valves

Valves			Actuators	
			M6410C,L/M7410C1015/M7410E1028/ML6425B2015/2023 ML7420A2016/ML6435B/ML7430E/ML7435E (300-500N)	
DN	kvs	Order Number	Operating Pressure (kPa)	Close-Off Pressure (kPa)
25	4.0	V5833A2076	600	1600
25	6.3	V5833A2084	600	1600
25	10.0	V5833A2092	600	1600
32	16.0	V5833A2100	500	1200
40	25.0	V5833A2118	400	1000

## OPERATION

A built-in return spring produces the closing force on the port A to AB. The valves are supplied with a screwed-on adjustment cap for manual operation and for protection of the stem. This allows the stem to be set up for filling or initial heating/cooling during the building construction phase without the use of a controller or actuator.

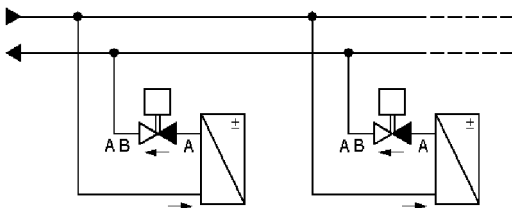
The small linear valve actuators provide automatic control over the opening and closing movement of the valve stem.

### Typical Operation

All types of valves should preferably be mounted in the return flow due to lower temperature conditions. If the system pressures exceed max. operating pressures, attention should be paid to the development of noise.

#### Two-way valves

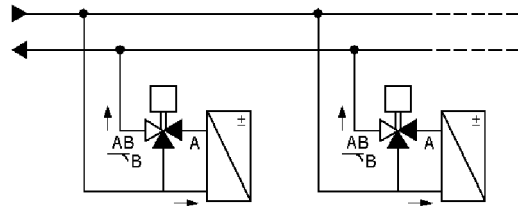
Direction of flow always from port A to port B.



#### Three-way valves

The valves are preferably to be used as mixing valves, this means:

- Port AB: Total flow outlet
- Port A: Controlled flow inlet
- Port B: Bypass inlet



## MOUNTING

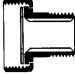


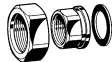
When installing the valve care must be taken that the flow direction is correct (see Typical Operation). The valve must not be mounted with the stem pointing downward.

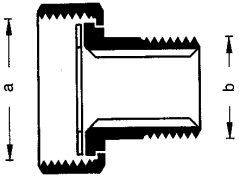
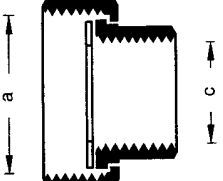
The adjustment cap must be removed from the valve only when the actuator is fitted. The valve should be installed as stress-free as possible with a tightening torque of 25 to 30Nm.

The valve is supplied complete with mounting instructions. The water quality should meet VDI 2035 requirements.

## ACCESSORIES

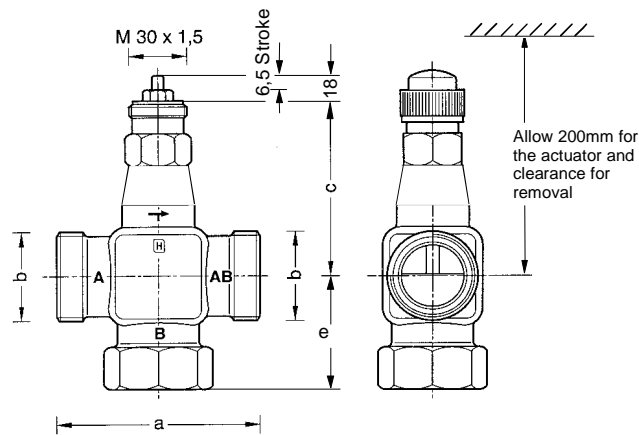
Valves V5832B need two connection sets, valves V5833A need three connection sets.

Connection	Pipe Size	DN	Order Number	Connection Set		Description
External Thread	R1"	25	AC-25T			Consisting of 1 union nut 1 tailpiece and 1 gasket
	R1 1/4"	32	AC-32T			
	R1 1/2"	40	AC-40T			
Internal Thread	Rp1"	25	AC-25TF			Consisting of 1 union nut 1 tailpiece and 1 gasket
	Rp1 1/4"	32	AC-32TF			
	Rp1 1/2"	40	AC-40TF			

Dimensions of Connection Sets				Order Number
	a	b	c	
	G1 1/2"	R1"		AC-25T
	G2"	R1 1/4"		AC-32T
	G2 1/4"	R1 1/2"		AC-40T
	G1 1/2"		Rp1"	AC-25TF
	G2"		Rp1 1/4"	AC-32TF
	G2 1/4"		Rp1 1/2"	AC-40TF

## DIMENSIONS

### V5832B



DN	a	b	c	d	e
25	105	G1 1/2"	92	52.5	62
32	105	G2"	92	52.5	62
40	130	G2 1/4"	98	65.0	77

### V5833A

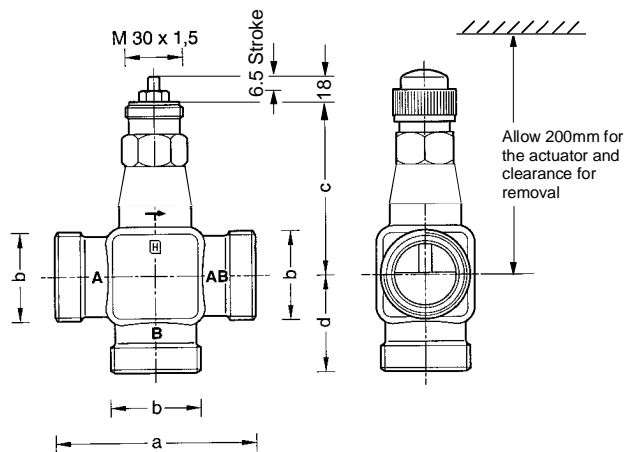


Fig. 1. Dimensions in mm

**Honeywell**

**Honeywell AG**  
 Hardhofweg  
**D-74821 Mosbach**  
 Tel. (0 62 61) 81-0  
 Fax (0 62 61) 81-309

Subject to change without notice. Printed in Germany.  
 EN0B-0833GE02 R0899

Manufacturing location is certified according to **DIN**  
**EN ISO 9001**